



Installation instructions, accessories

Volvo Car Corporation Gothenburg, Sweden

Instruction No	Version	Part. No.
31408247	1.0	31373091

Parking assistance, rear



Installation instructions, accessories

Volvo Car Corporation Gothenburg, Sweden


Special tools

	<p>999 5919 PULLER (SEAL-PINION,CAM-CRANKSHAFT)B200-6304</p> <p>Tool number:999 5919</p> <p>Tool description:PULLER (SEAL-PINION,CAM-CRANKSHAFT)B200-6304</p> <p>Tool boards:46</p>
	<p>999 7234 Hole stamp</p> <p>Tool number:999 7234</p> <p>Tool description:Hole stamp</p> <p>Tool boards:80</p>

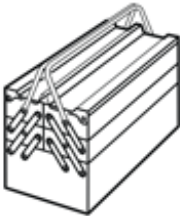
Materials

Designation	Part number
Isopropanol	1161721
Sand paper P1000	
Volvo Original Touch-up paint	
Varnish 2-component	31335447
Activator	8637076


Equipment



IMG-275777



A0000162



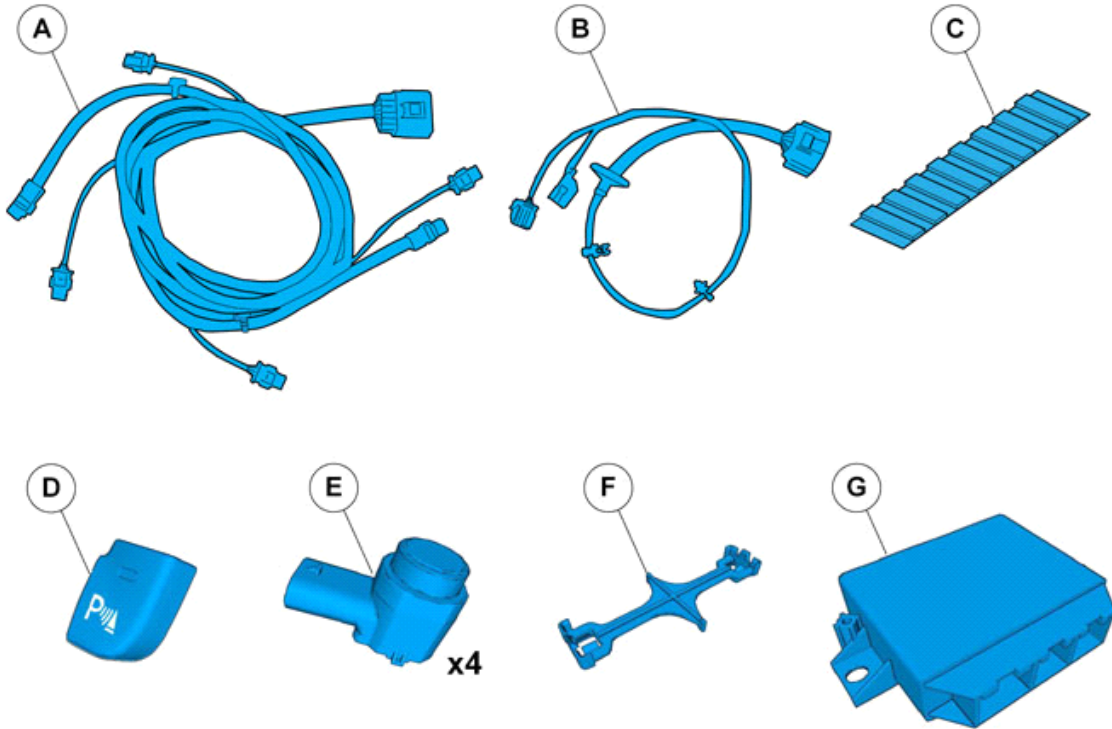
IMG-239664

Nm
lbf.ft



Installation instructions, accessories

Volvo Car Corporation Gothenburg, Sweden

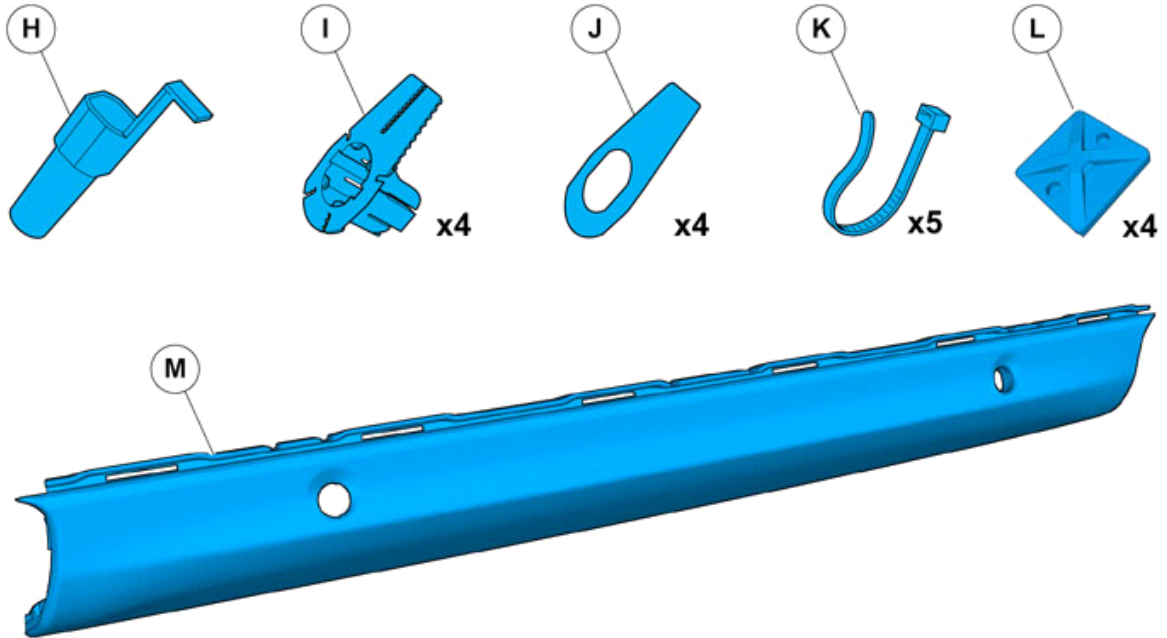


IMG-377522



Installation instructions, accessories

Volvo Car Corporation Gothenburg, Sweden



IMG-377521



Installation instructions, accessories

Volvo Car Corporation Gothenburg, Sweden

Information

1

Read through all of the instructions before starting installation.

Notifications and warning texts are for your safety and to minimise the risk of something breaking during installation.

Ensure that all tools stated in the instructions are available before starting installation.

Certain steps in the instructions are only presented in the form of images. Explanatory text is also given for more complicated steps.

In the event of any problems with the instructions or the accessory, contact your local Volvo dealer.

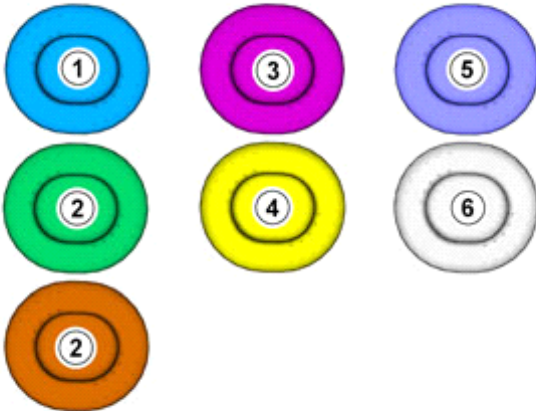
Further information

2

After installation, the car must not be washed for 48 hours

When installing, the car must retain a temperature of 20 degrees C.

3



IMG-363036

Note!

This colour chart displays (in colour print and electronic version) the importance of the different colours used in the images of the method steps.

1. Used for focused component, the component with which you will do something.
2. Used as extra colors when you need to show or differentiate additional parts.
3. Used for attachments that are to be removed/installed. May be screws, clips, connectors, etc.
4. Used when the component is not fully removed from the vehicle but only hung to the side.
5. Used for standard tools and special tools.
6. Used as background color for vehicle components.

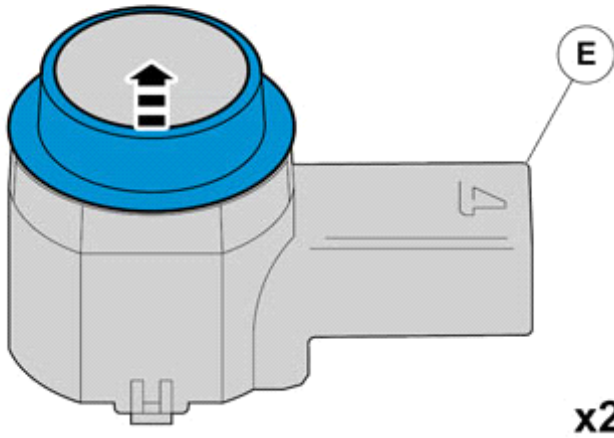
Paintwork



Installation instructions, accessories

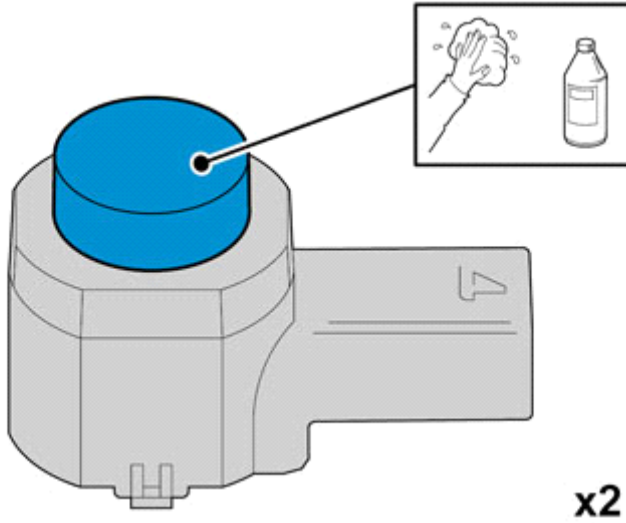
Volvo Car Corporation Gothenburg, Sweden

4



IMG-373951

5

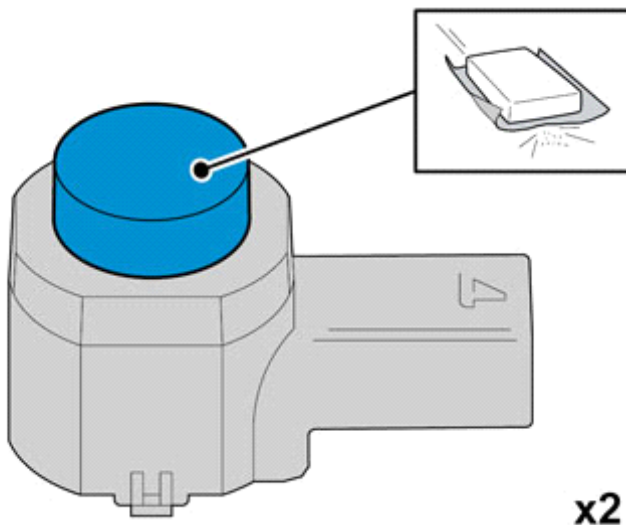


IMG-344142

Clean the surface.

Use: 1161721, Isopropanol

6



IMG-344141

Matt the surface gently.

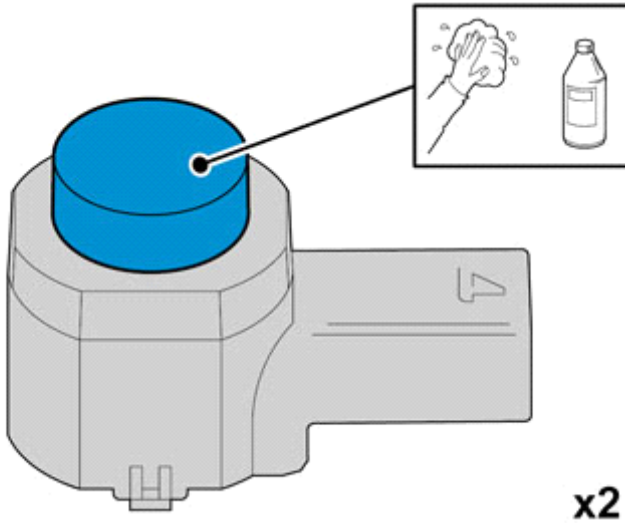
Use: , Sand paper P1000



Installation instructions, accessories

Volvo Car Corporation Gothenburg, Sweden

7



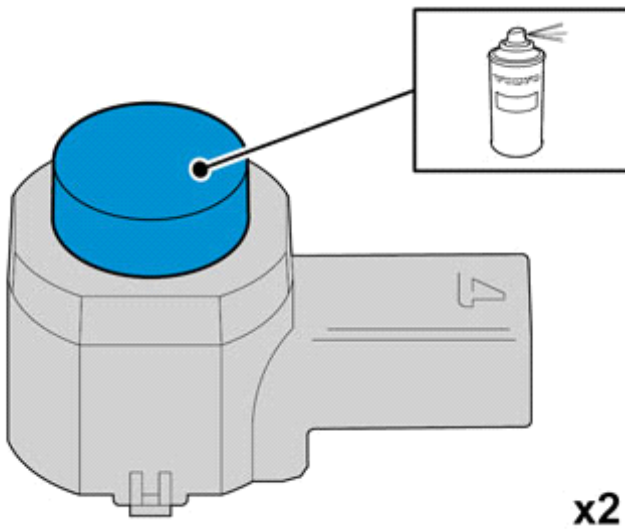
IMG-344142

Clean the surface.

Use: 1161721, Isopropanol

Allow to dry.

8



IMG-344251

Caution!

Protect connector surfaces against paint spray.

Note!

Paint the sensors the same colour code as the vehicle.

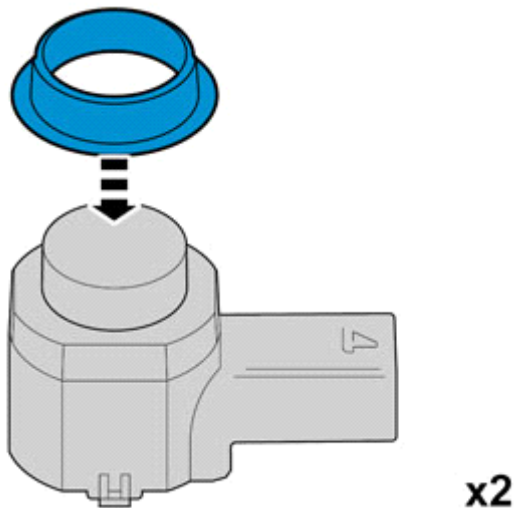
Use: , Volvo Original Touch-up paint

Use base coat only.

Use: 31335447, Varnish 2-component

Also see the instructions on the container.

9



IMG-333934

Caution!

First the paint must dry after painting.



Installation instructions, accessories

Volvo Car Corporation Gothenburg, Sweden

Removal

10

Set the ignition key to position 0.



IMG-332193

11



IMG-377640

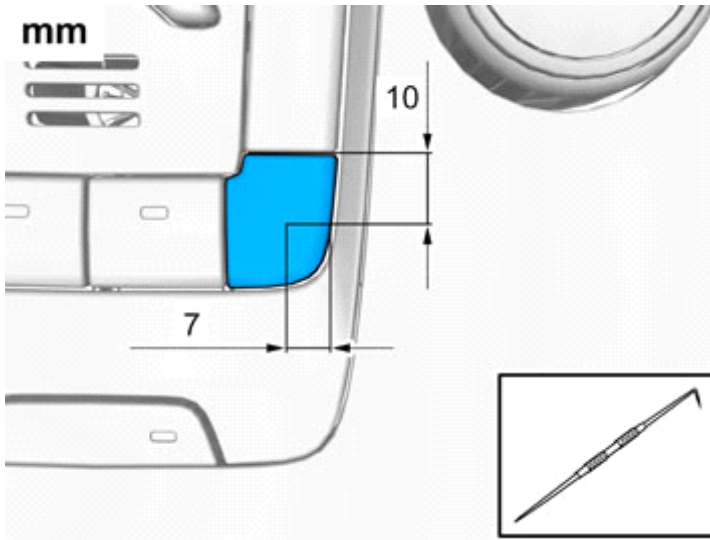
Note!
Orientation view



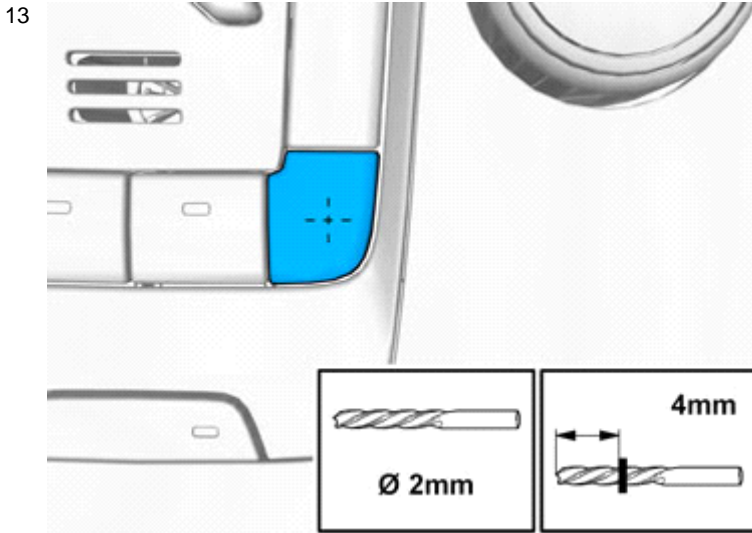
Installation instructions, accessories

Volvo Car Corporation Gothenburg, Sweden

12 Measure and mark as illustrated.

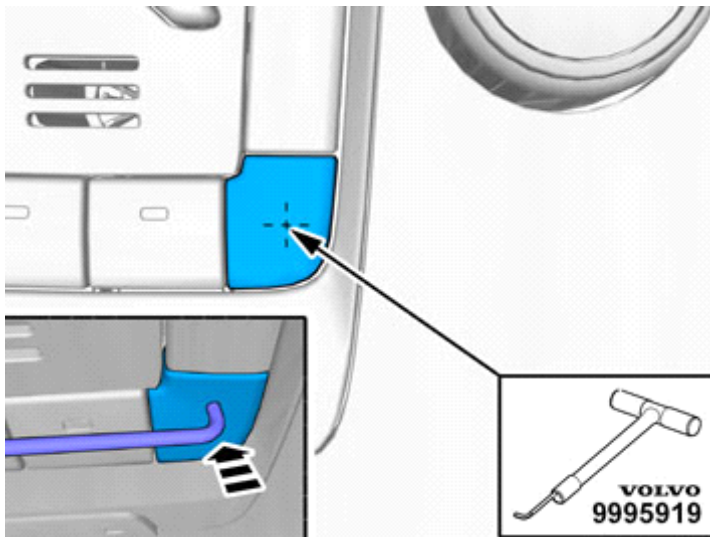


IMG-372212



IMG-372210

14 Use special tool: T9995919, PULLER (SEAL-PINION,CAM-CRANKSHAFT)B200-6304



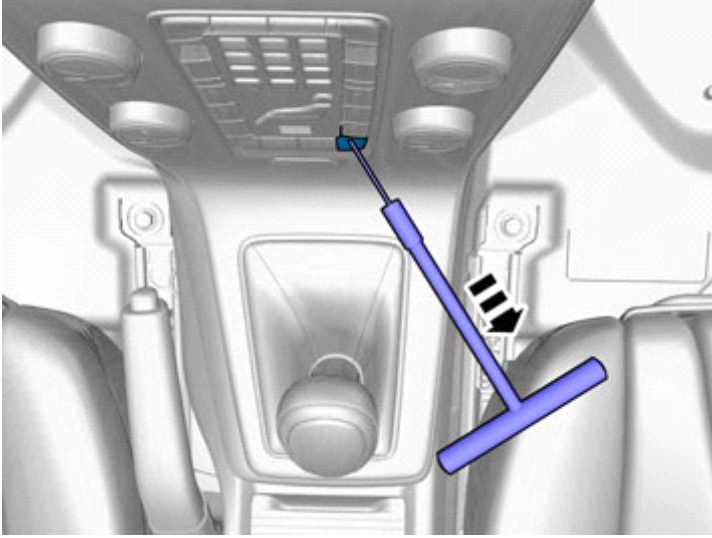
IMG-372209



Installation instructions, accessories

Volvo Car Corporation Gothenburg, Sweden

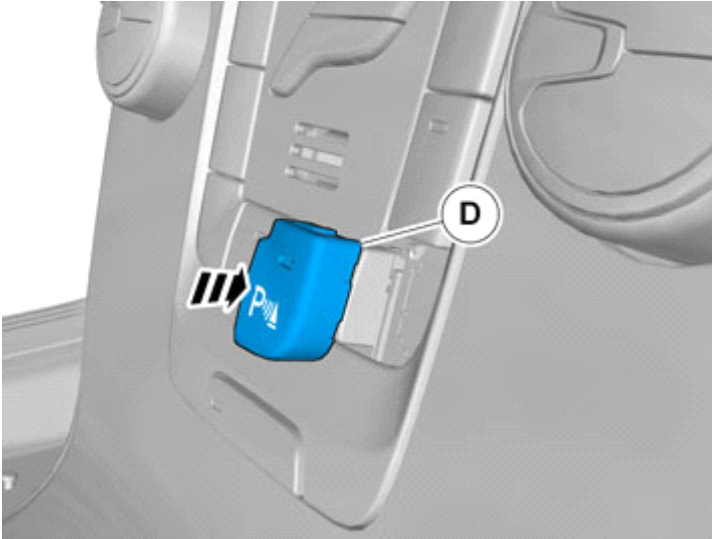
15



IMG-372207

Accessory installation

16



IMG-372208

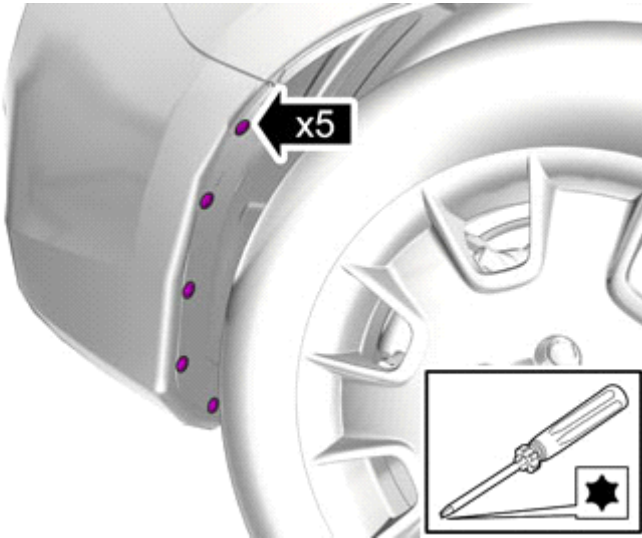
Removal



Installation instructions, accessories

Volvo Car Corporation Gothenburg, Sweden

17

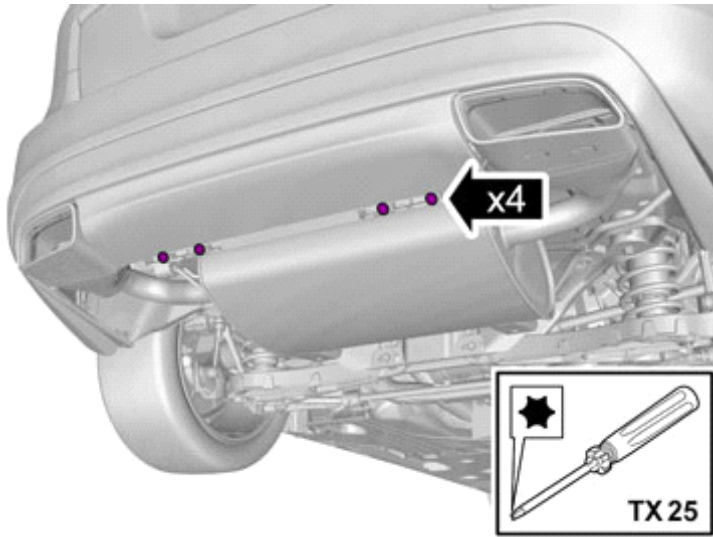


IMG-340640

Remove the screws.

Repeat on the other side.

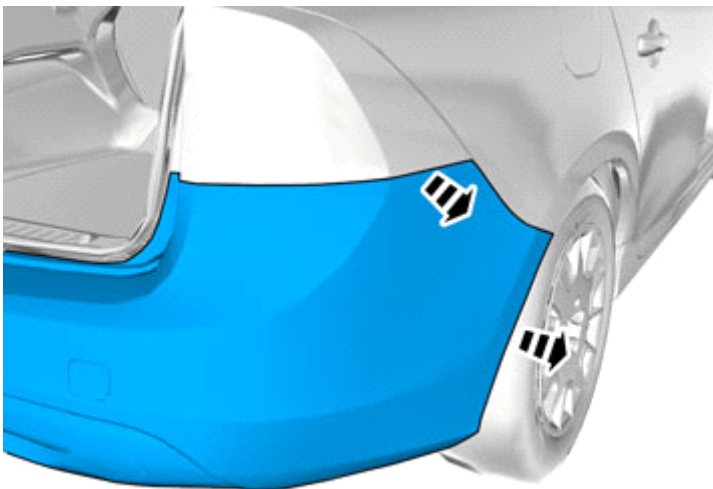
18



IMG-377496

Remove the screws.

19



IMG-340641

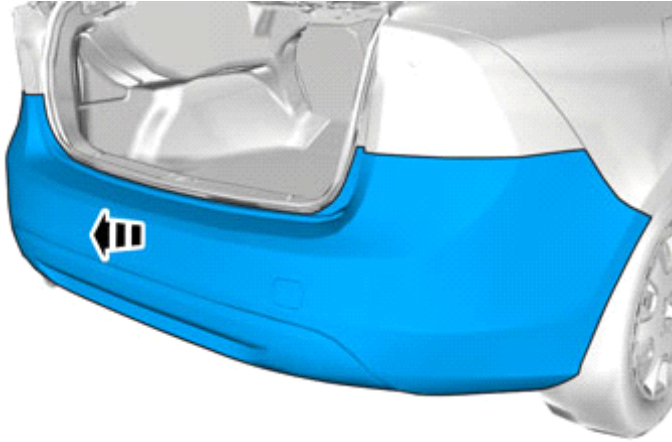
Repeat on the other side.



Installation instructions, accessories

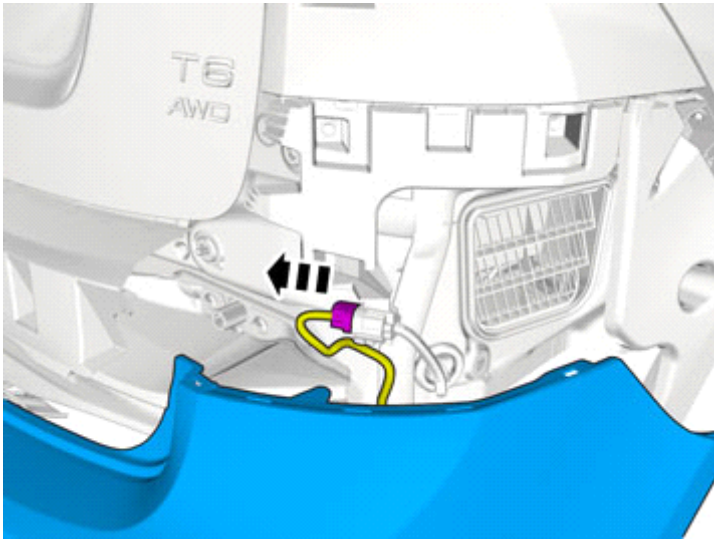
Volvo Car Corporation Gothenburg, Sweden

20



IMG-340643

21



IMG-340644

Caution!
Place the Bumper Cover on a suitable surface.

Disconnect the connector, if applicable.

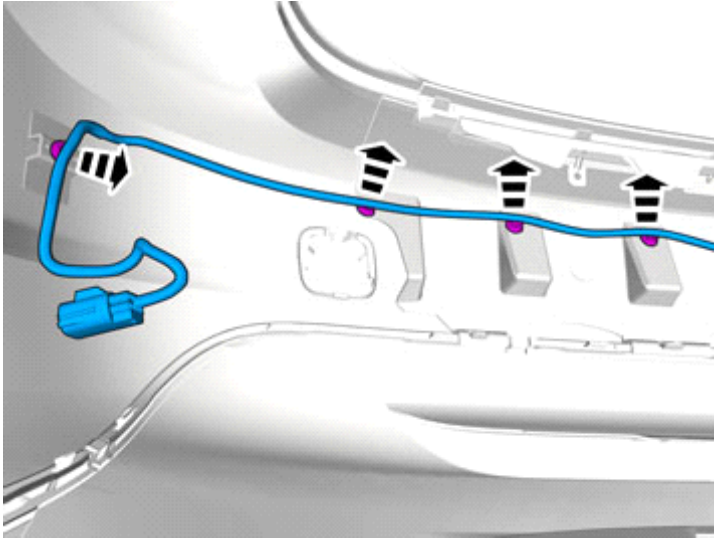
Vehicles with keyless entry



Installation instructions, accessories

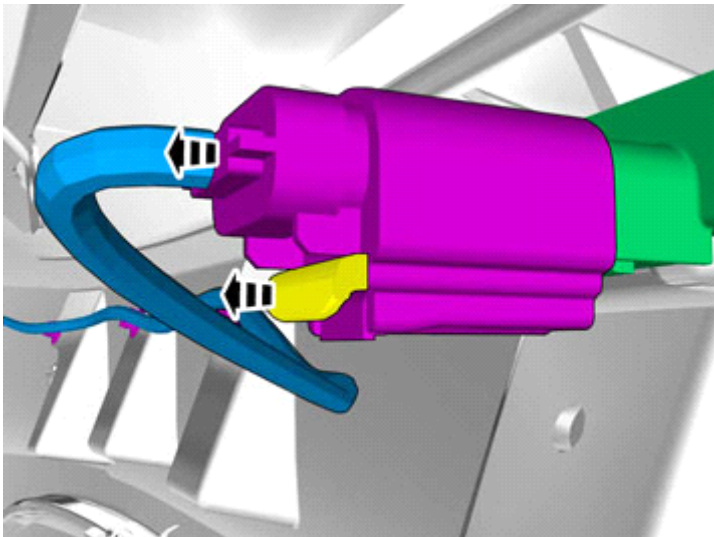
Volvo Car Corporation Gothenburg, Sweden

22



IMG-340645

23



IMG-340646

Disconnect the connector.

The cable harness must not be reused.

Vehicles with integrated Exhaust End Pipes



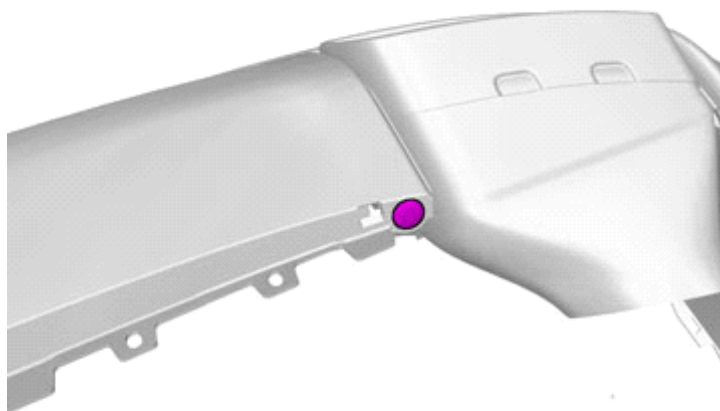
Installation instructions, accessories

Volvo Car Corporation Gothenburg, Sweden

24

Remove the clip.

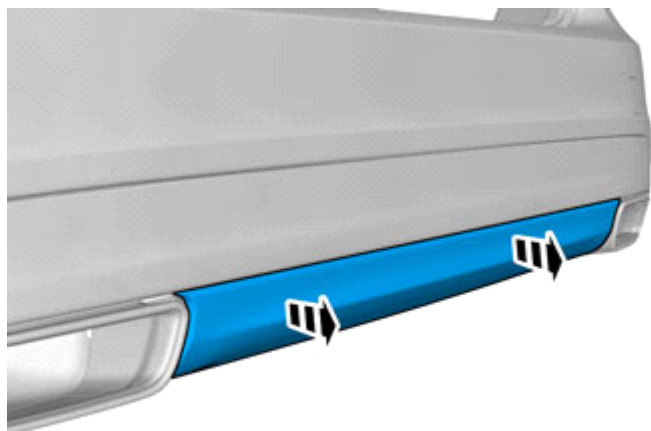
Repeat on the other side.



IMG-377518

25

The part is not to be reused.



IMG-377520

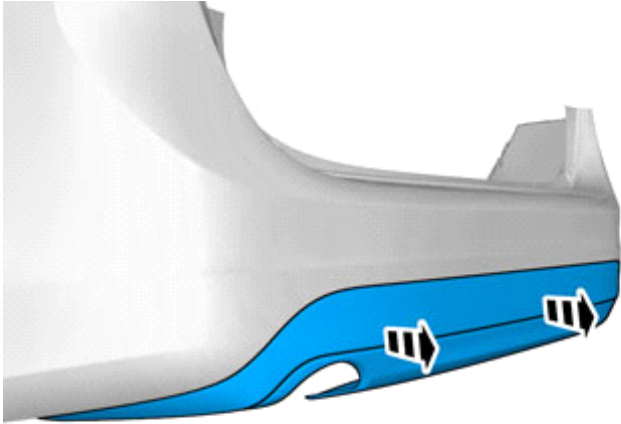
Applies to all other vehicles



Installation instructions, accessories

Volvo Car Corporation Gothenburg, Sweden

26



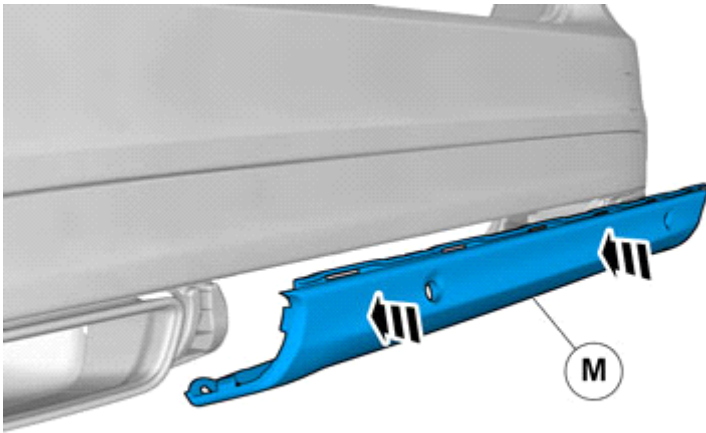
The part is not to be reused.

IMG-377812

Accessory installation

Vehicles with integrated Exhaust End Pipes

27



Install component that comes with the accessory kit.

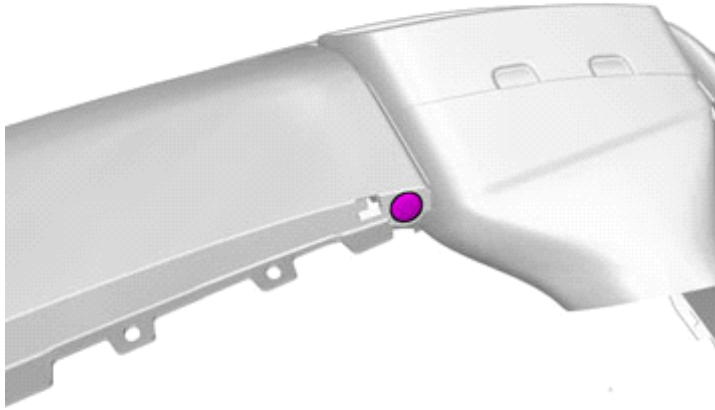
IMG-377523



Installation instructions, accessories

Volvo Car Corporation Gothenburg, Sweden

28



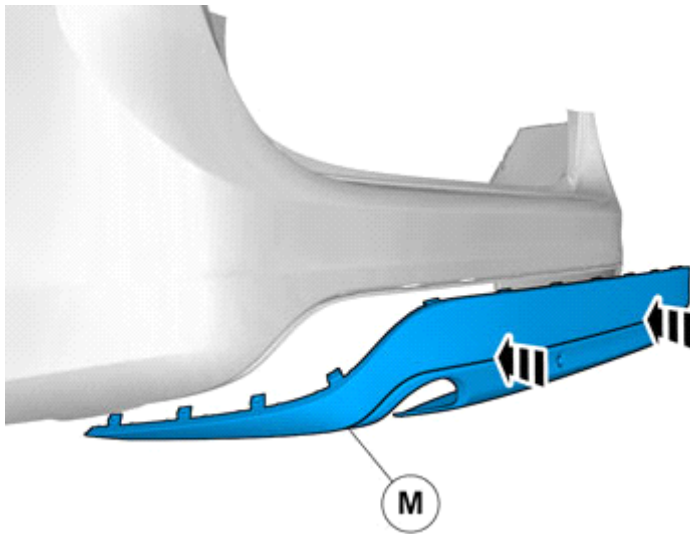
IMG-377518

Install the clip(s).

Repeat on the other side.

Applies to all other vehicles

29



IMG-377814

Install component that comes with the accessory kit.

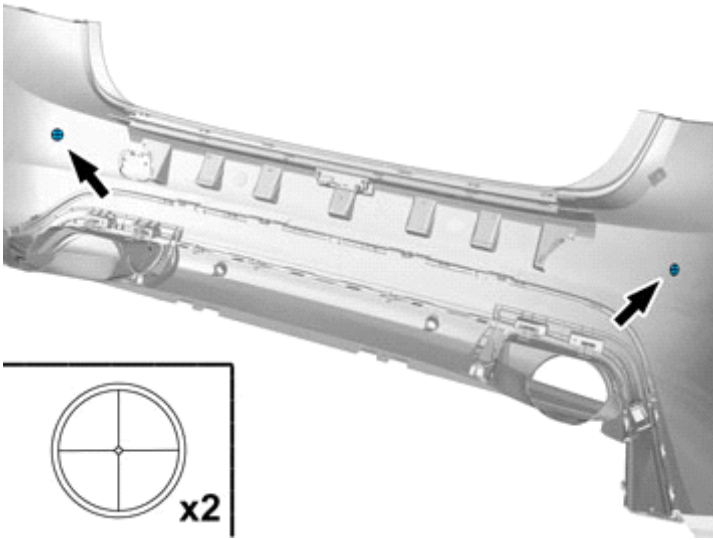
All vehicles



Installation instructions, accessories

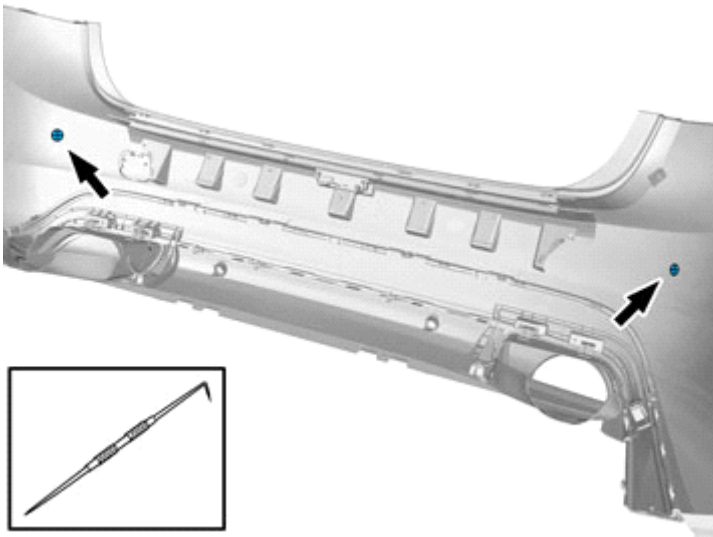
Volvo Car Corporation Gothenburg, Sweden

30 Locate the markings for the positions.

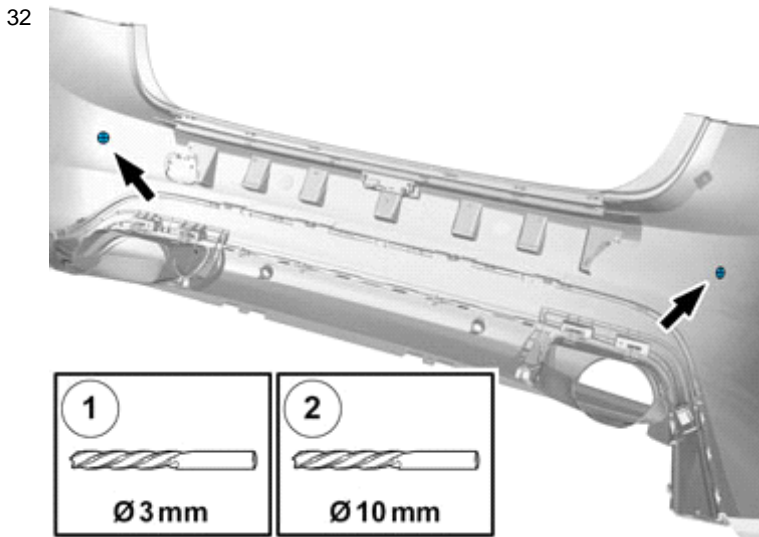


IMG-377497

31 Mark the centre.



IMG-377498



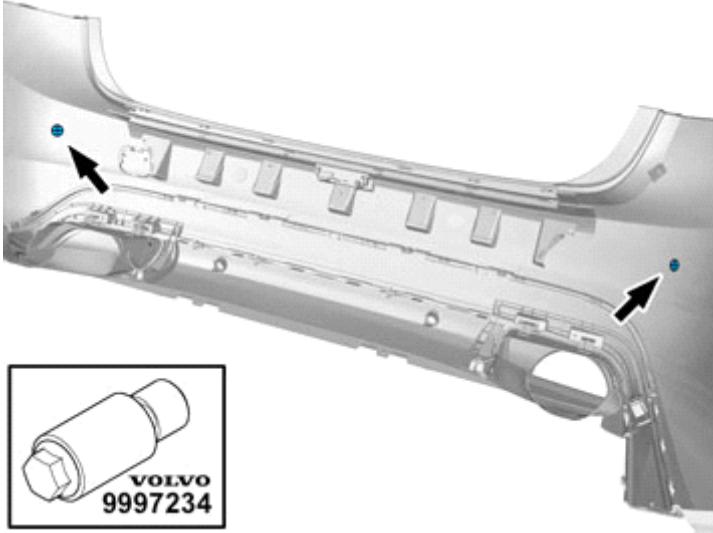
IMG-377499



Installation instructions, accessories

Volvo Car Corporation Gothenburg, Sweden

33



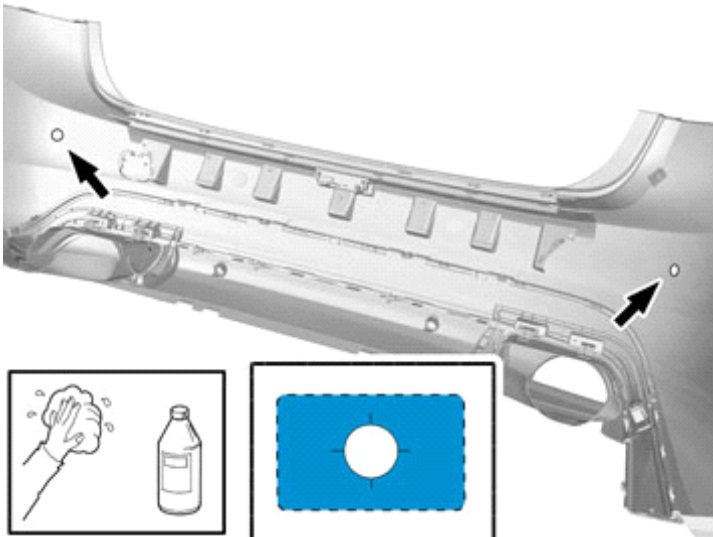
IMG-377500

Caution!

Sharp end of tool must be on outside of cover.

Use special tool: T9997234, Hole stamp

34



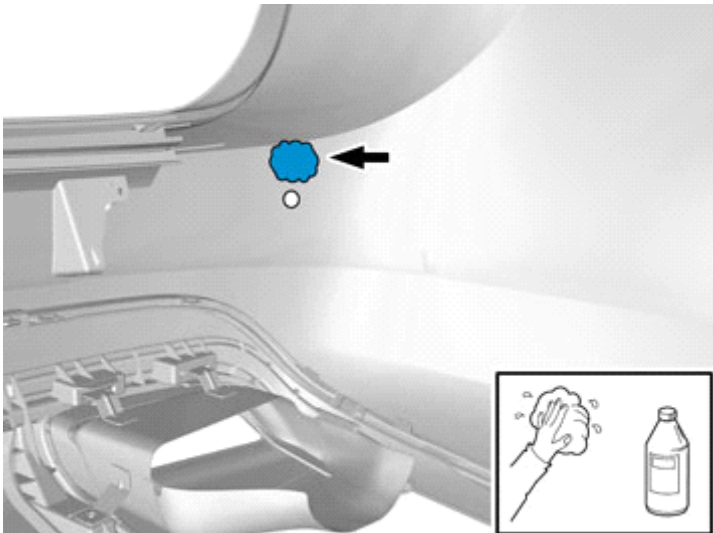
IMG-377506

Clean the surfaces.

Use: 1161721, Isopropanol

Allow to dry.

35



IMG-377524

Clean the surface.

Use: 1161721, Isopropanol

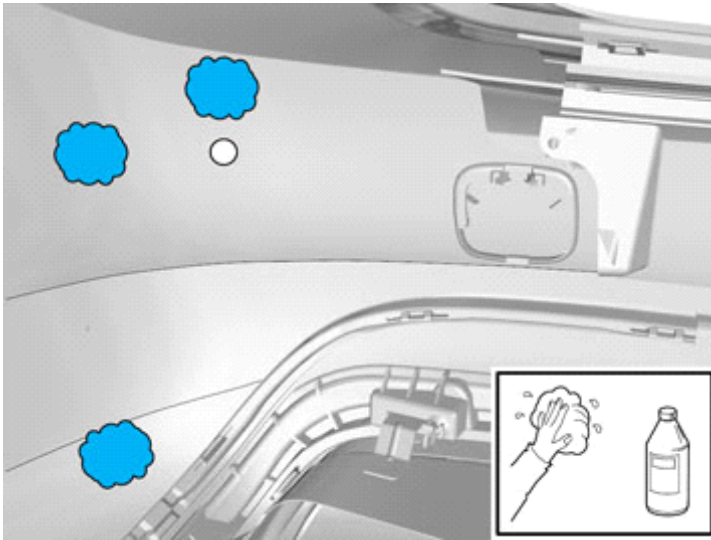
Allow to dry.



Installation instructions, accessories

Volvo Car Corporation Gothenburg, Sweden

36



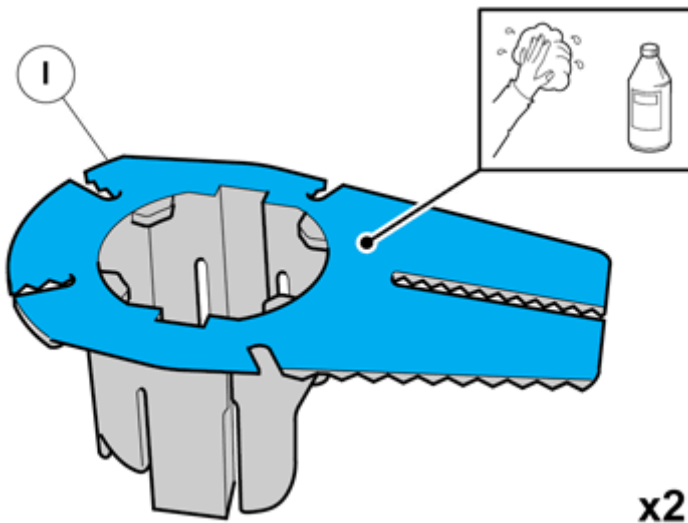
IMG-377527

Clean the surfaces.

Use: 1161721, Isopropanol

Allow to dry.

37



IMG-377508

Clean the surfaces.

Use: 1161721, Isopropanol

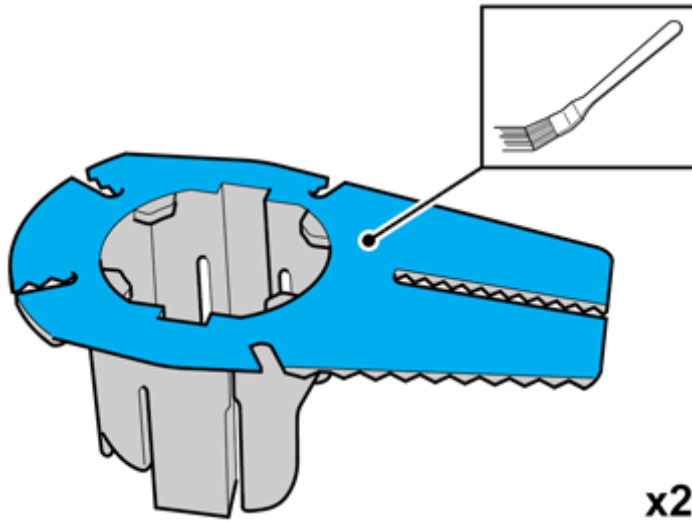
Allow to dry.



Installation instructions, accessories

Volvo Car Corporation Gothenburg, Sweden

38



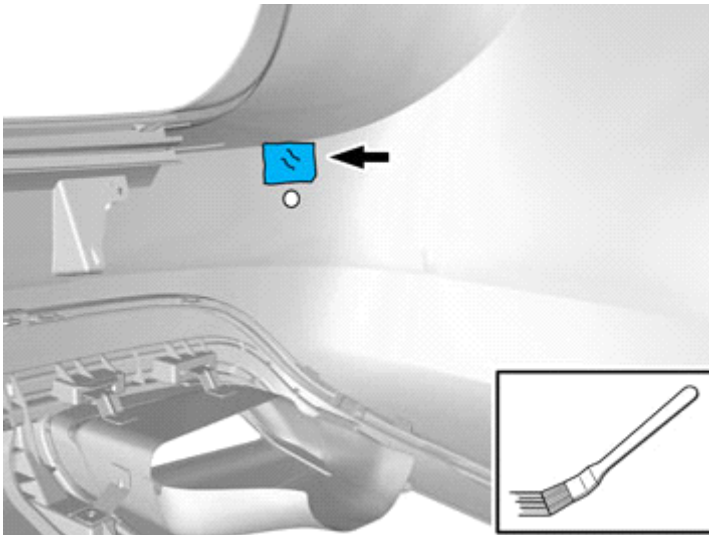
IMG-377509

Apply a thin and even layer.

Use: 8637076, Activator

Allow to dry for at least 10 minutes.

39



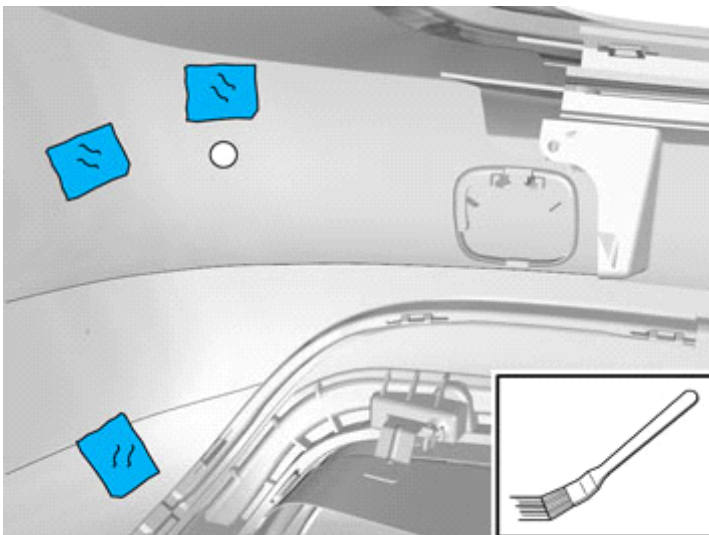
IMG-377525

Apply a thin and even layer.

Use: 8637076, Activator

Allow to dry for at least 10 minutes.

40



IMG-377528

Apply a thin and even layer.

Use: 8637076, Activator

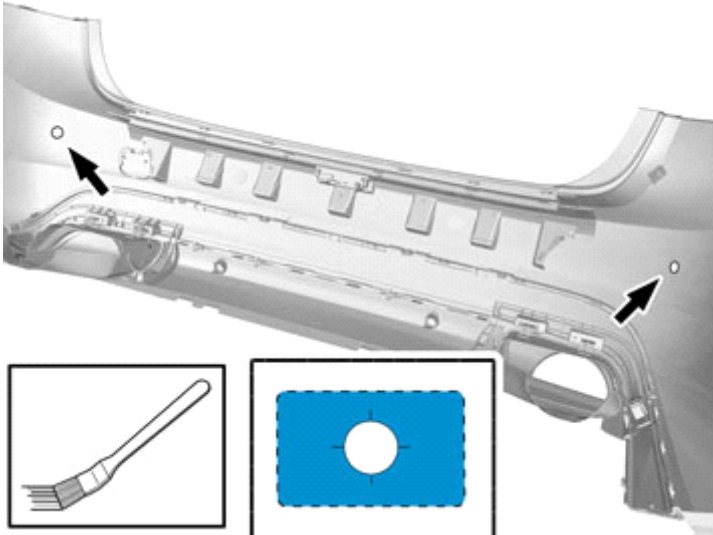
Allow to dry for at least 10 minutes.



Installation instructions, accessories

Volvo Car Corporation Gothenburg, Sweden

41



IMG-377510

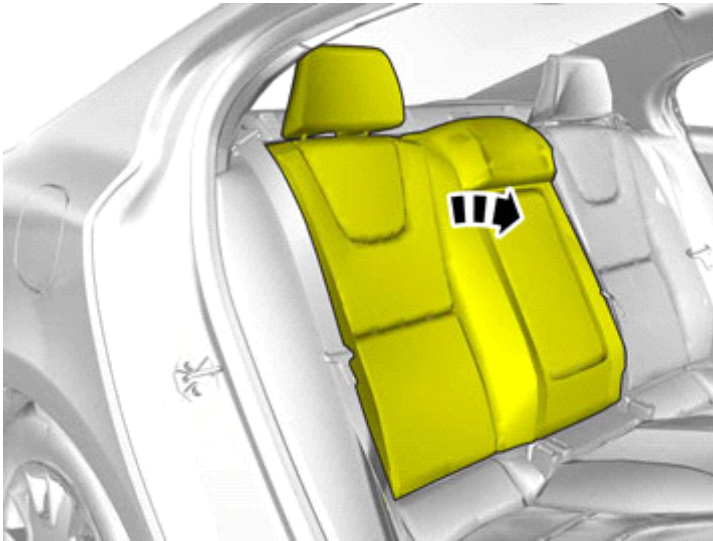
Apply a thin and even layer.

Use: 8637076, Activator

Allow to dry for at least 10 minutes.

Removal

42



IMG-340657



Installation instructions, accessories

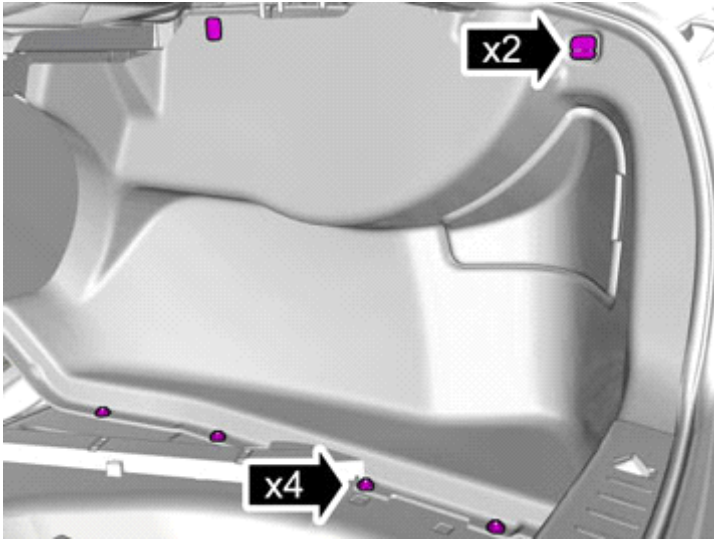
Volvo Car Corporation Gothenburg, Sweden

43



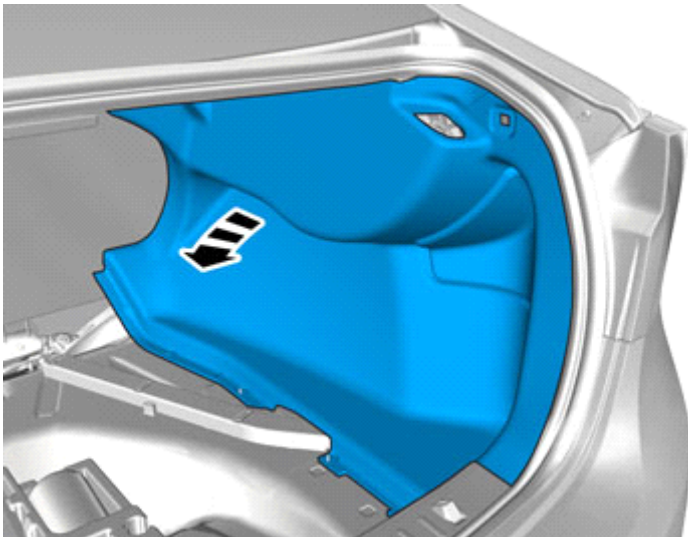
IMG-340658

44



IMG-340660

45



IMG-340659

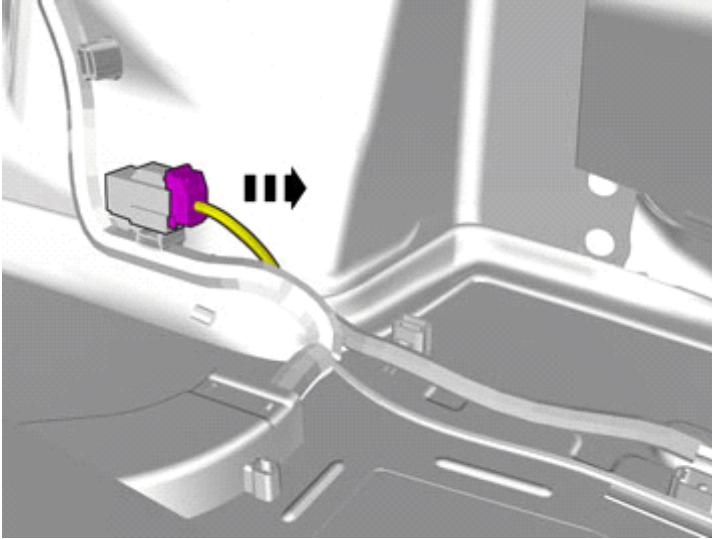


Installation instructions, accessories

Volvo Car Corporation Gothenburg, Sweden

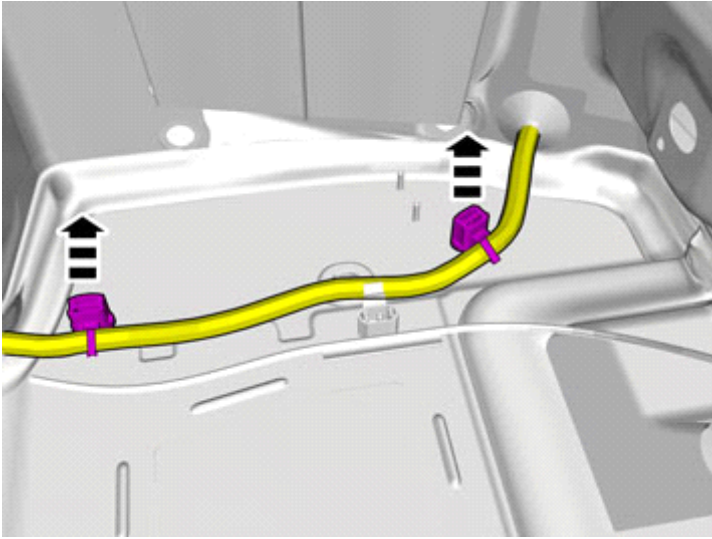
Vehicles with keyless entry

46



IMG-340661

47



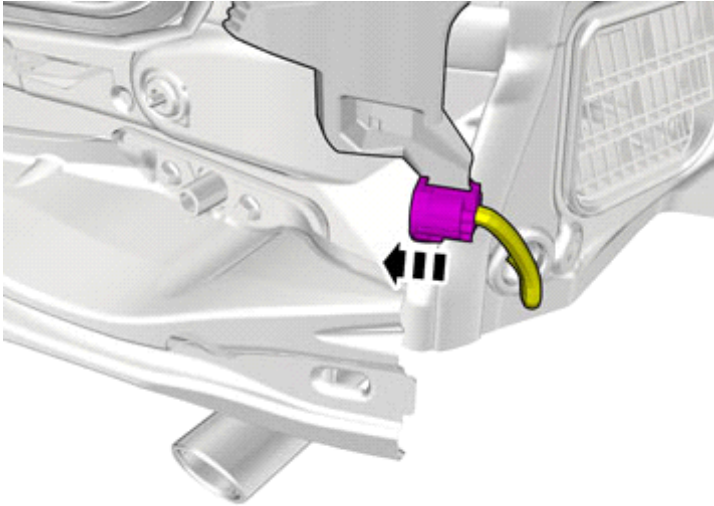
IMG-340662



Installation instructions, accessories

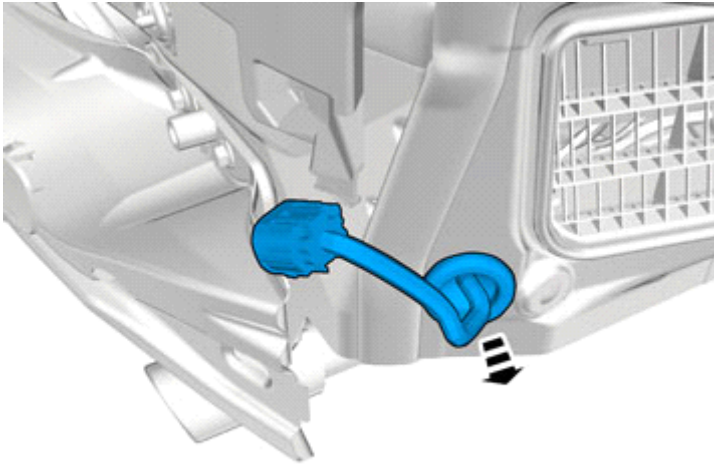
Volvo Car Corporation Gothenburg, Sweden

48



IMG-340663

49



IMG-340664

Accessory installation

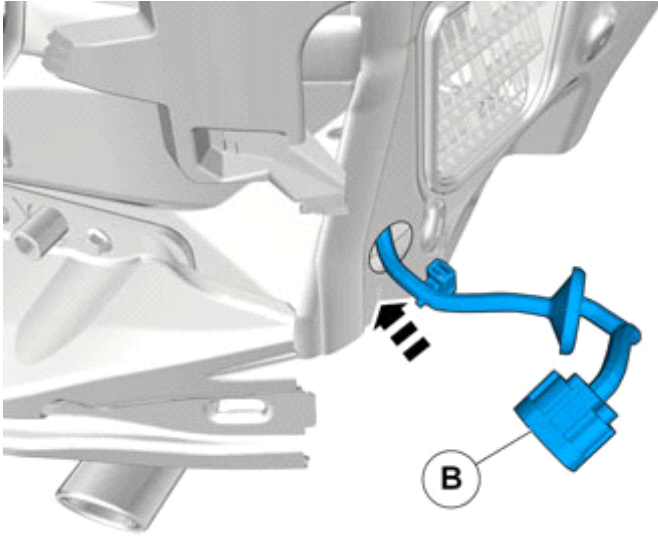
All vehicles



Installation instructions, accessories

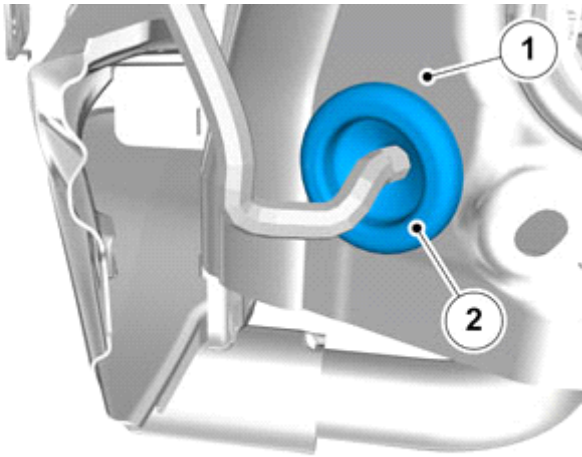
Volvo Car Corporation Gothenburg, Sweden

50



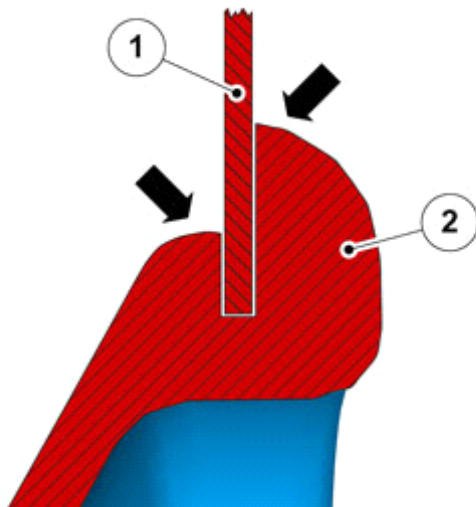
IMG-377511

51



IMG-340667

52



IMG-340668

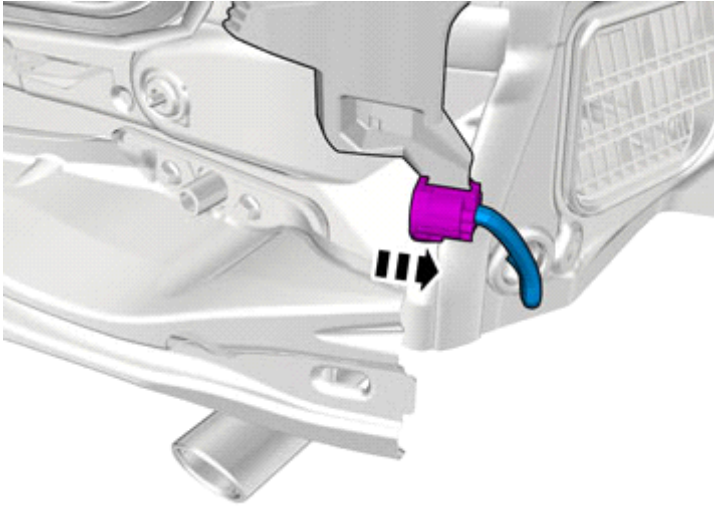
Caution!
Make sure that the rubber grommet seals properly to the body.



Installation instructions, accessories

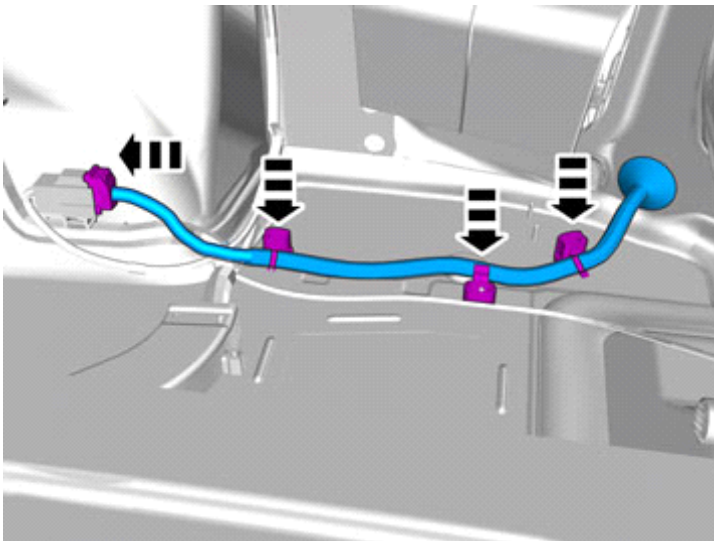
Volvo Car Corporation Gothenburg, Sweden

53



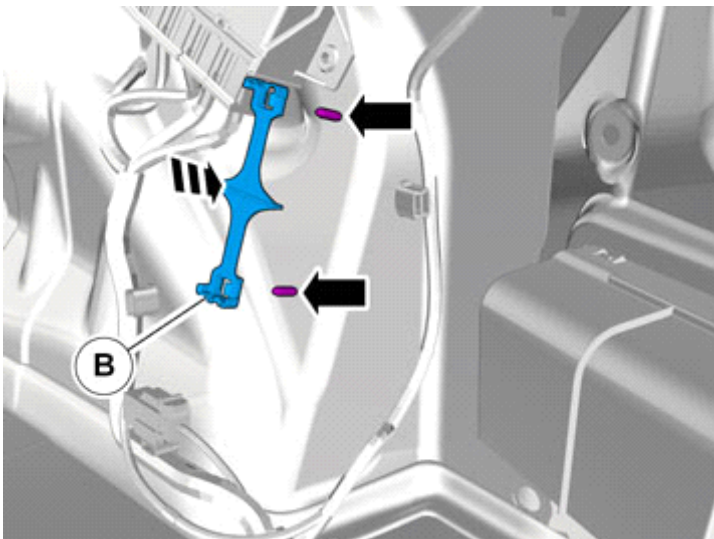
IMG-340669

54



IMG-340671

55



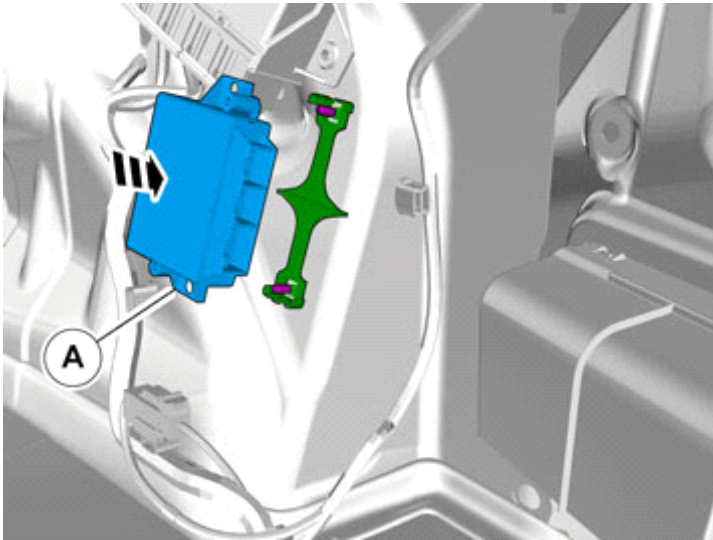
IMG-340672



Installation instructions, accessories

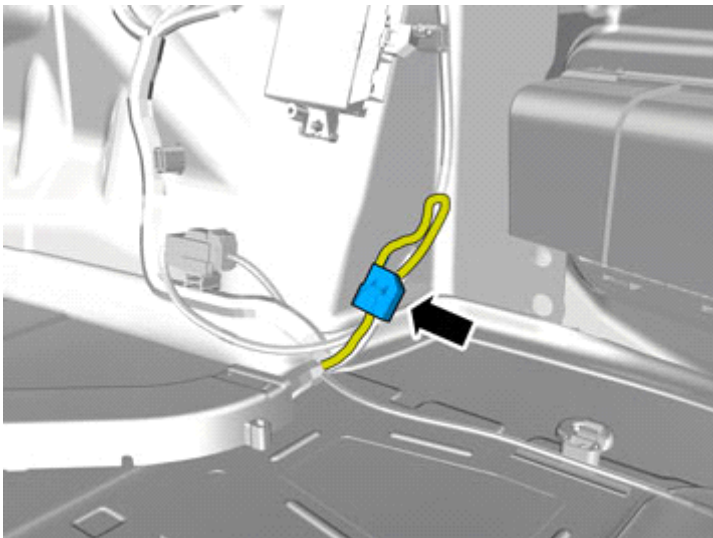
Volvo Car Corporation Gothenburg, Sweden

56



IMG-340673

57



IMG-341997

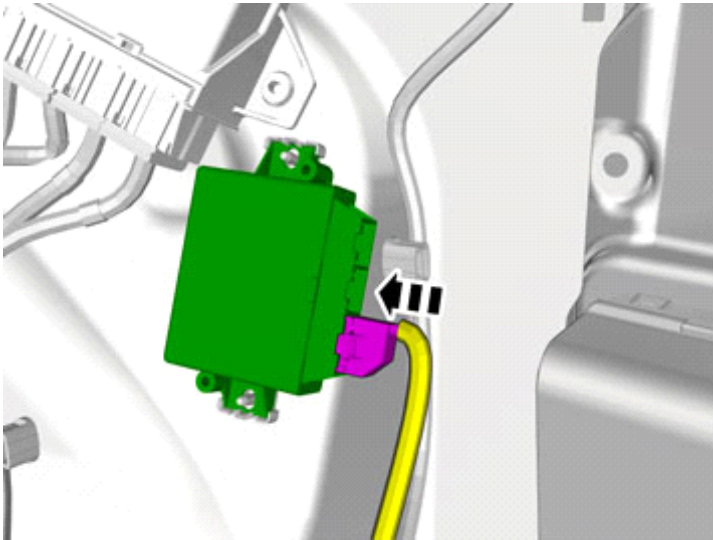
Locate the existing connector in the vehicle's cable harness.



Installation instructions, accessories

Volvo Car Corporation Gothenburg, Sweden

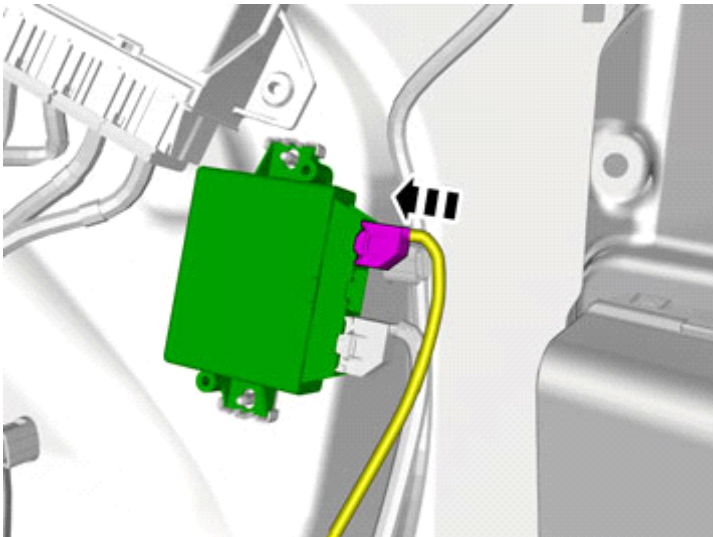
58



IMG-340676

Connect the connector.

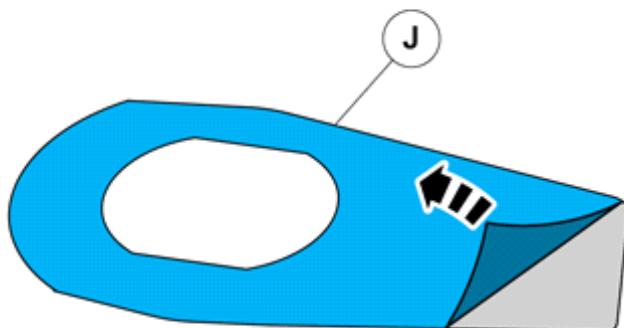
59



IMG-340681

Connect the prerouted cable.

60



IMG-377539

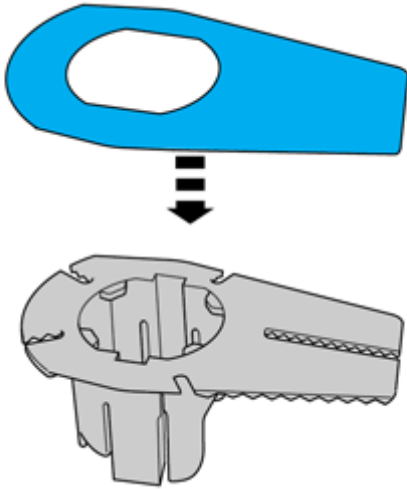
Remove the protective film.



Installation instructions, accessories

Volvo Car Corporation Gothenburg, Sweden

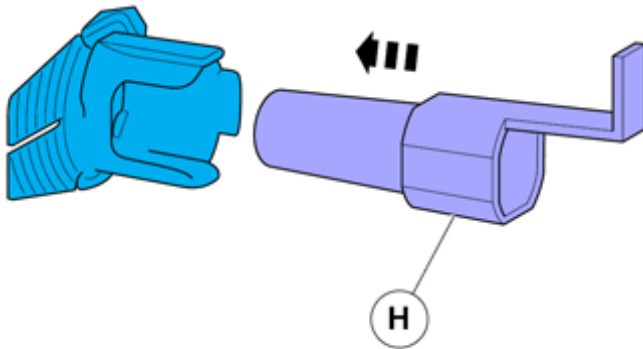
61



Note!
Ensure that the tape is fixed to the surface.

IMG-377512

62

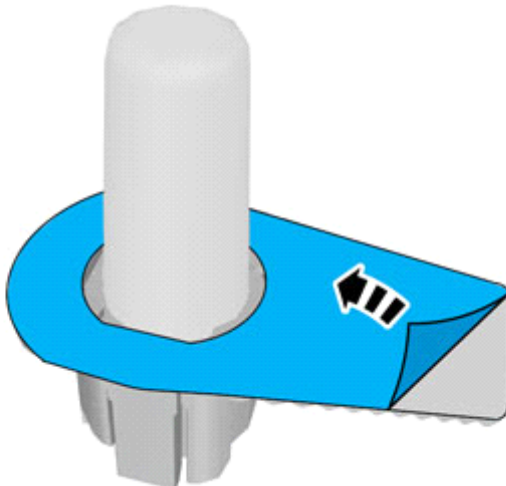


Note!
Prepare and install one holder at a time.

IMG-377513

63

Remove the protective film.



IMG-340690

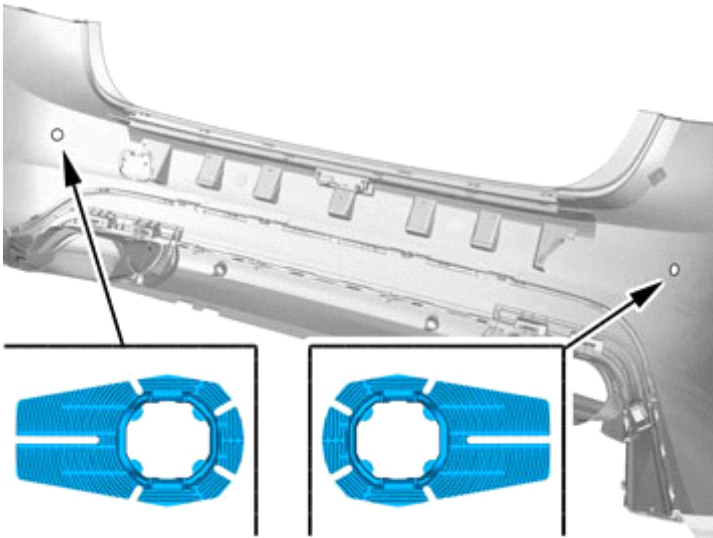


Installation instructions, accessories

Volvo Car Corporation Gothenburg, Sweden

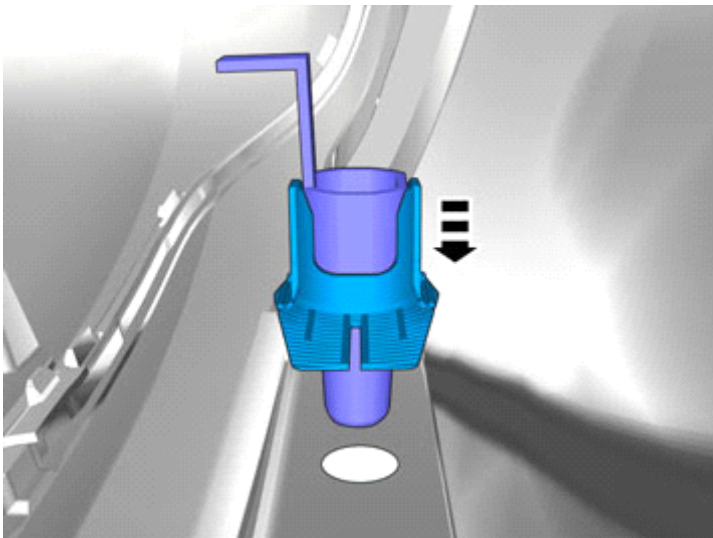
64

Note position of components.



IMG-377514

65



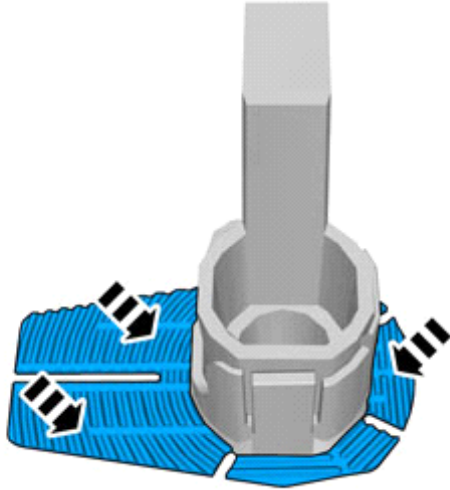
IMG-340692



Installation instructions, accessories

Volvo Car Corporation Gothenburg, Sweden

66

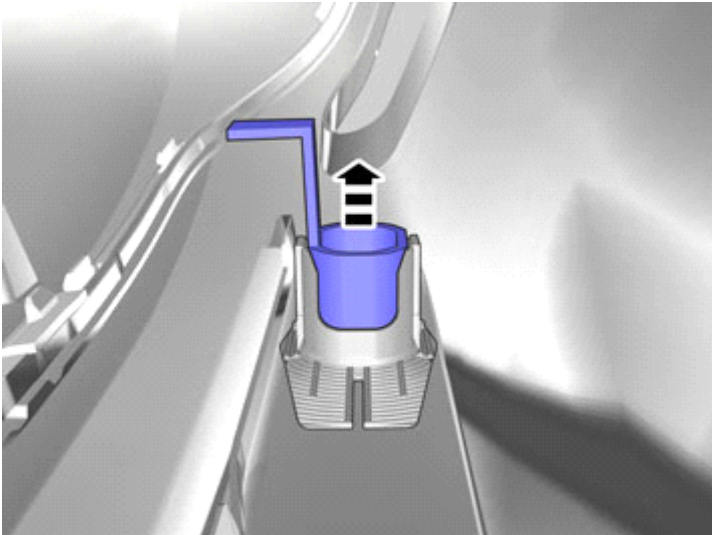


Note!

Ensure that the tape is fixed to the surface.

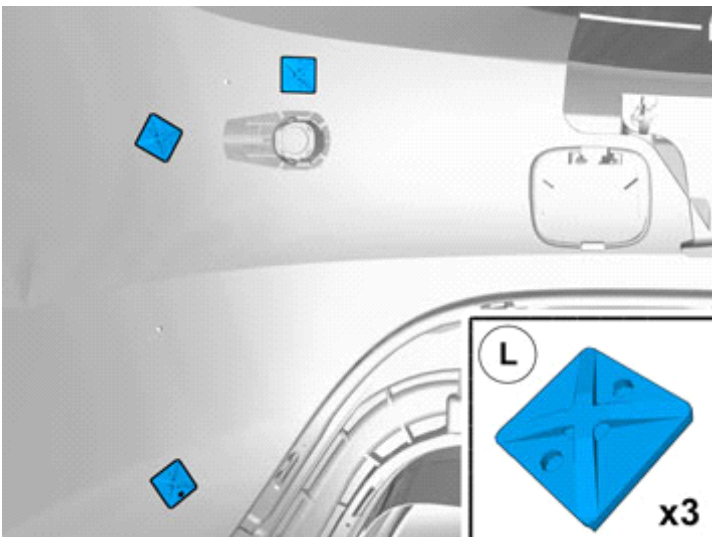
IMG-340694

67



IMG-340695

68



IMG-377529

Remove the protective film.

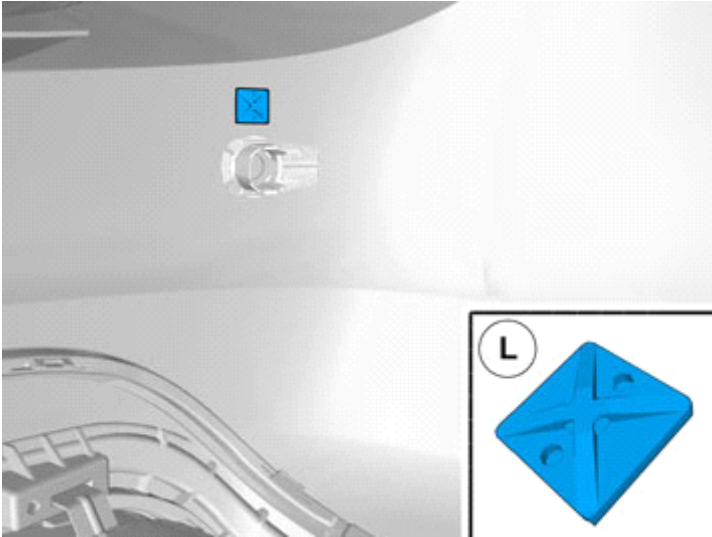
Install component that comes with the accessory kit.



Installation instructions, accessories

Volvo Car Corporation Gothenburg, Sweden

69

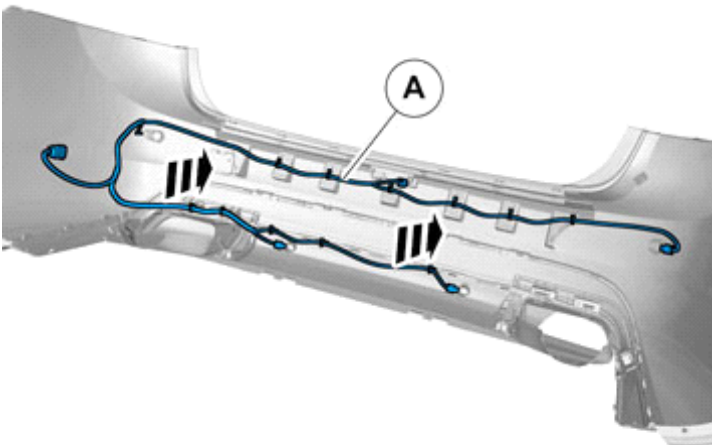


IMG-377530

Remove the protective film.

Install component that comes with the accessory kit.

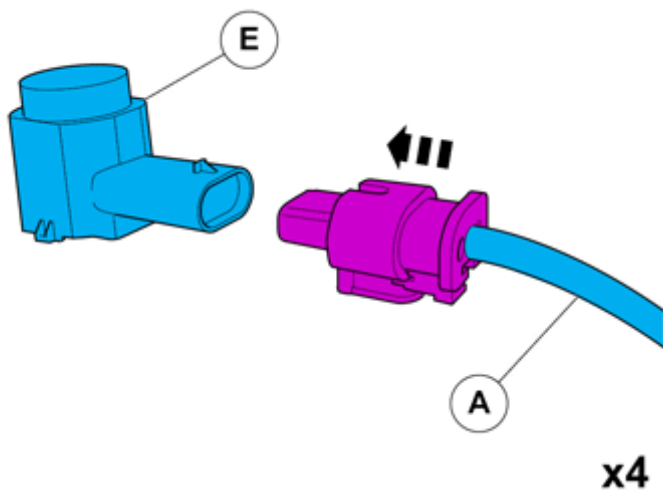
70



IMG-377543

Put the wiring in the Bumper cover without installing the wiring.

71



Connect the two painted sensors to the external connections.

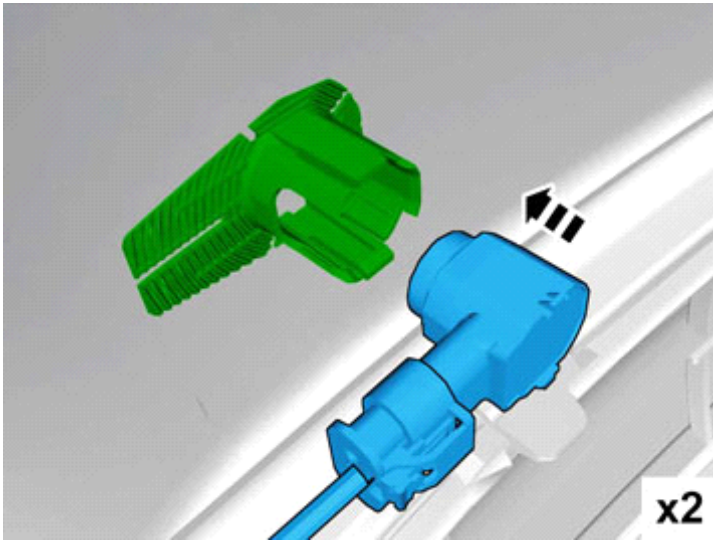
IMG-373743



Installation instructions, accessories

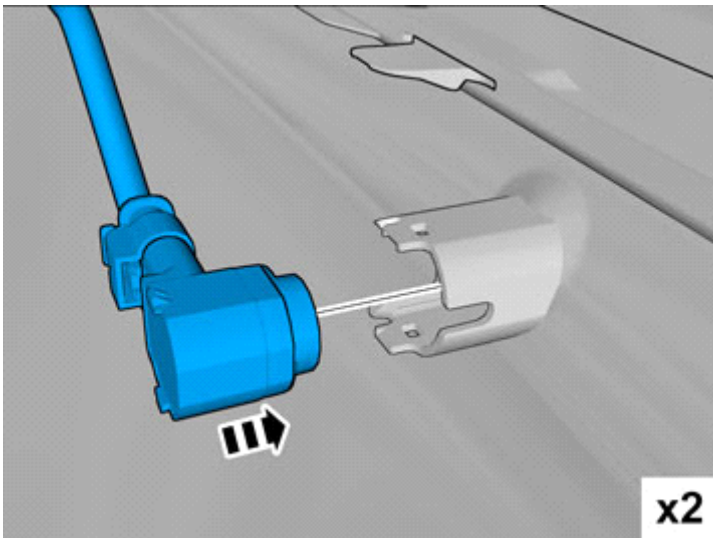
Volvo Car Corporation Gothenburg, Sweden

72



IMG-377515

73



IMG-37758

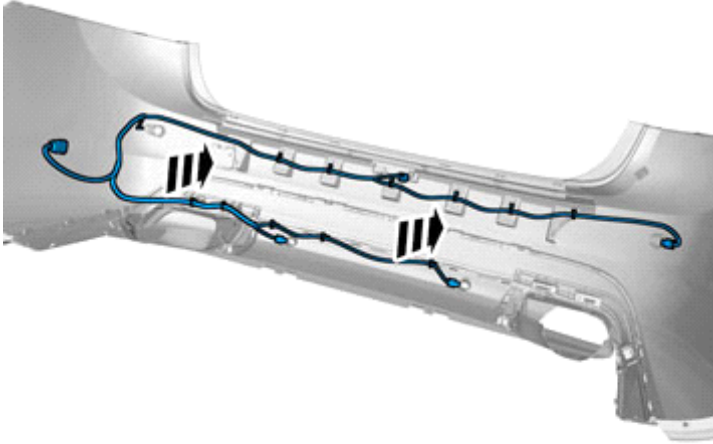


Installation instructions, accessories

Volvo Car Corporation Gothenburg, Sweden

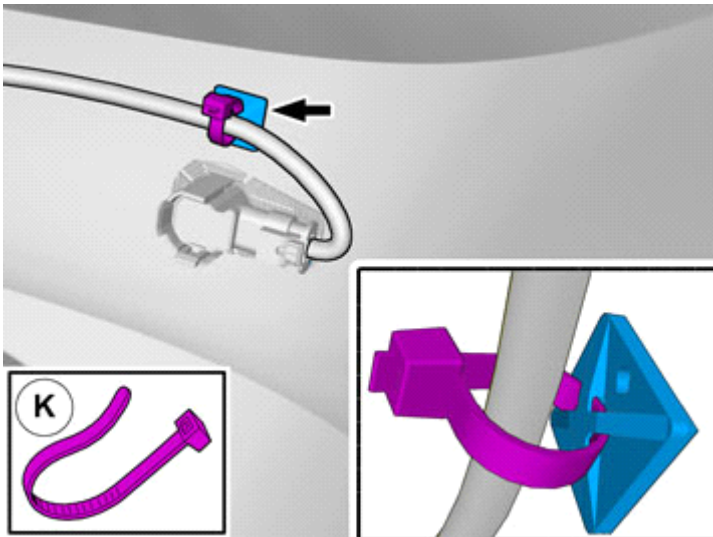
74

Fasten the wiring harness using the existing clips.



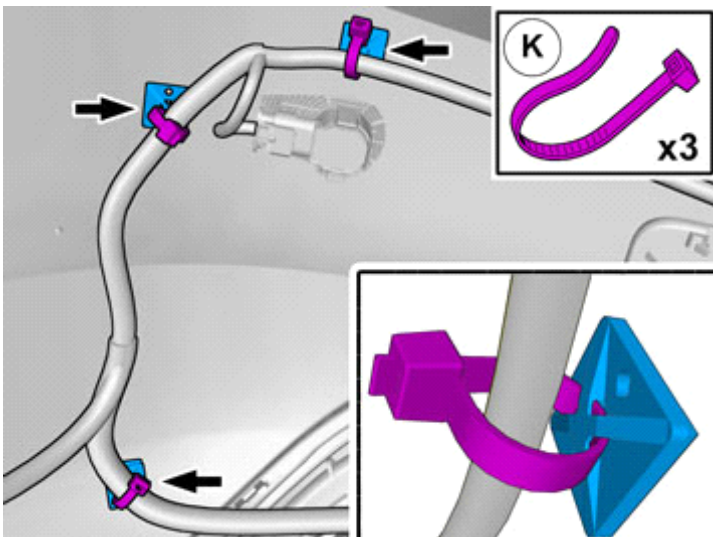
IMG-377638

75



IMG-377548

76



IMG-377549

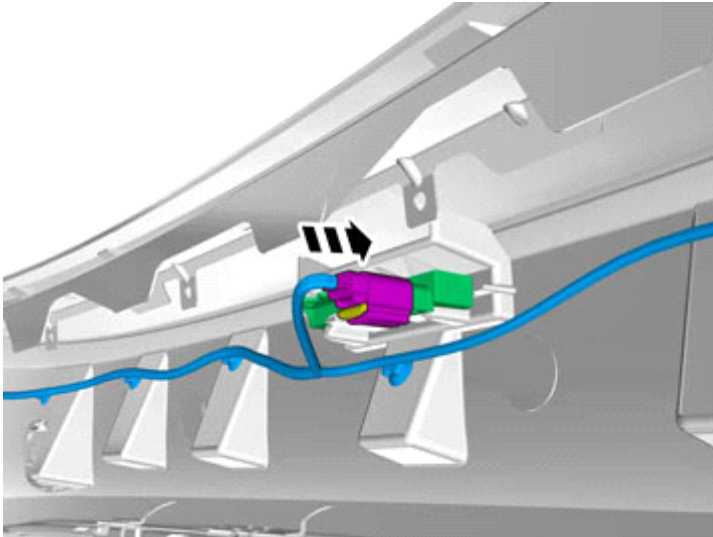


Installation instructions, accessories

Volvo Car Corporation Gothenburg, Sweden

Vehicles with keyless entry

77

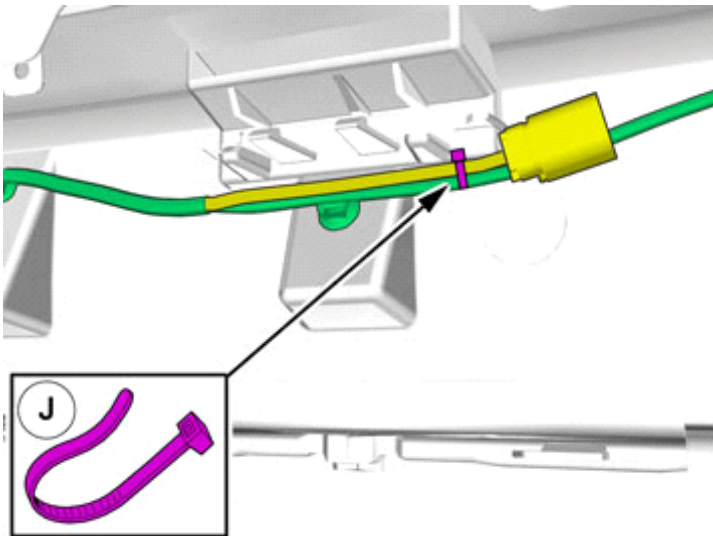


IMG-340705

Connect the connector.

Vehicles without keyless entry

78



IMG-37757

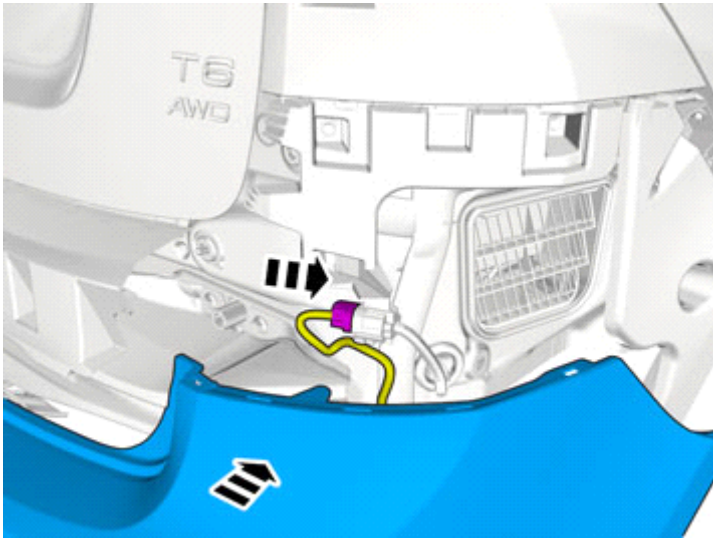
All vehicles



Installation instructions, accessories

Volvo Car Corporation Gothenburg, Sweden

79



IMG-340706

Place the Bumper Cover in position for installation.

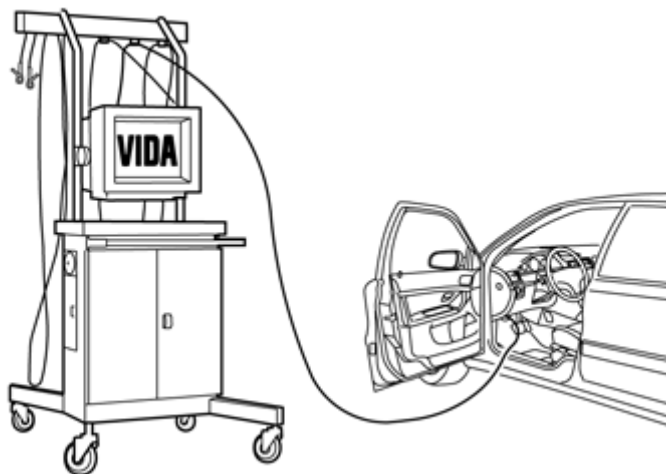
Connect the connector.

80

Reinstall the removed parts in reverse order.

IMG-377070

81



IMG-242268

Download software (application) for the accessory's function according to the service information in VIDA.

Order and download software according to: 31266966



Installation instructions, accessories

Volvo Car Corporation Gothenburg, Sweden
